





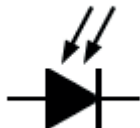
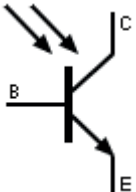



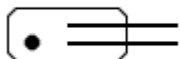




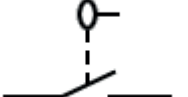

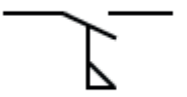


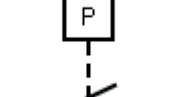

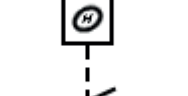
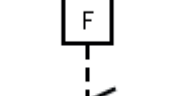
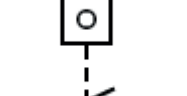


Symbols of Electronic Sensors, Transducers, Detectors ... [[Go to Website](#)]

 <p>Transducer Generic symbol</p>	 <p>Piezoelectric transducer</p>	 <p>LDR Resistor Photoresistor Light sensitive resistor</p>	 <p>Microphone Sound detector</p>
 <p>Humistor Liquid detector</p>	 <p>Thermoluminescence detector</p>	 <p>Photodiode Diode sensitive to visible light or infrared</p>	 <p>Phototransistor Transistor sensitive to light</p>
 <p>Electrostatic sensor Touch sensitive sensor</p>	 <p>Electrostatic sensor Touch sensitive sensor</p>	 <p>Electrostatic sensor Touch sensitive sensor</p>	 <p>Mercury switch Detects the inclination or motion</p>
 <p>Reed switch Closes to the proximity of a magnet</p>	 <p>Switch detector limit</p>		


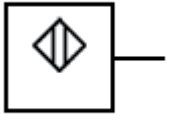
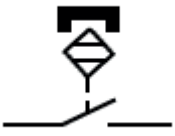
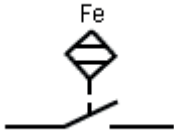

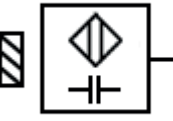
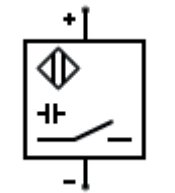
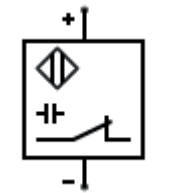
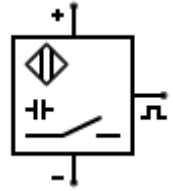
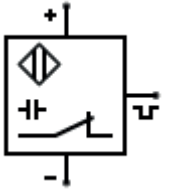
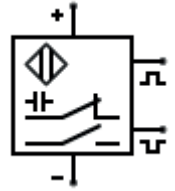
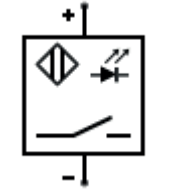
All Electrical & Electronic Symbols in <https://www.electrical-symbols.com>

Effects Switches Symbols or Dependencies [[Go to Website](#)]

 <p>Level switch Level sensor Actuated by the level of a fluid</p>	 <p>Thermal switch A thermal relay operated by the effect of temperature</p>	 <p>Level switch Level sensor Actuated by the level of a fluid</p>	 <p>Thermal switch Triggered by the effect of temperature</p>
 <p>Flow switch Sail switch Actuated by the flow of a fluid</p>	 <p>Pressure switch Pressure sensor Contact actuated by pressure</p>	 <p>Flow switch Actuated by the flow of a fluid</p>	 <p>Pressure switch Switch actuated by pressure</p>
 <p>Switch operated by the flow of gas</p>	 <p>Thermostat Thermal switch triggered by the effect of temperature</p>	 <p>Switch by frequency</p>	 <p>Switch actuated by a pulse counter</p>

All Electrical & Electronic Symbols in <https://www.electrical-symbols.com>

Proximity Sensors Symbols [[Go to Website](#)]

 <p>Proximity switch Generic symbol</p>	 <p>Sensitive sensor by proximity Generic symbol</p>	 <p>Switch by proximity to a magnet</p>	 <p>Switch by proximity to iron</p>
 <p>Touch switch</p>	 <p>Capacitive proximity sensor sensitiv to solids</p>	 <p>Capacitive proximity sensor, normally open output, NO</p>	 <p>Capacitive proximity sensor, normally closed output, NC</p>
 <p>Capacitive proximity sensor with 3 wires, normally open output NO</p>	 <p>Capacitive proximity sensor 3 wire, normally closed output NC</p>	 <p>Capacitive proximity sensor with 4 wires 2 outputs (one open and one closed)</p>	 <p>Sensor with optical fiber</p>

All Electrical & Electronic Symbols in <https://www.electrical-symbols.com>