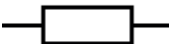

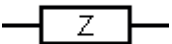
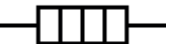

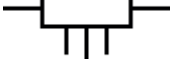
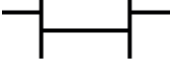
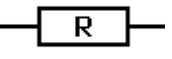


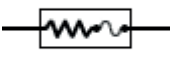
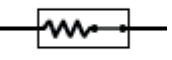


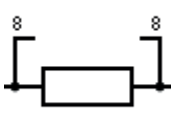
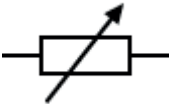

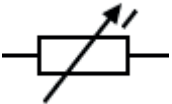

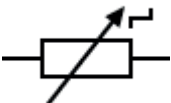
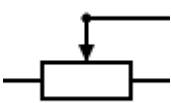
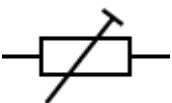
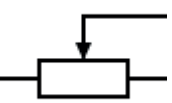
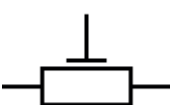
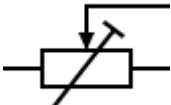
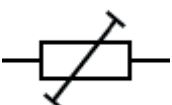
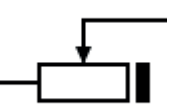



# Resistor Symbols [ [Go to Website](#) ]

|  |   |  |   |
|--|---|--|---|
|  <p>Resistor<br/>IEC system</p>         |  <p>Resistor<br/>NEMA system</p>             |  <p>Impedance</p>   |  <p>Heating element</p>  |
|  <p>Resistor with fixed<br/>sockets</p> |  <p>Resistor with sockets<br/>of current</p> |  <p>Shunt resistor with<br/>current and voltage<br/>connections</p> |  <p>Nonreactive resistor</p>                                     |
|  <p>Not burnable resistor</p>           |  <p>Resistor nonreactive</p>                 |  <p>Protective resistor<br/>Makes the function<br/>of a fuse</p>    |  <p>Protective resistor<br/>Makes the function<br/>of a fuse</p> |
|  <p>Attenuator</p>                      |  <p>Memristor<br/>Memory resistor</p>        |  <p>Resistor array<br/>e.g. 8 resistors</p>                         |   |



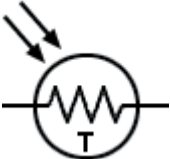

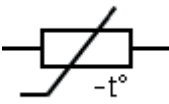
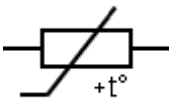

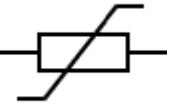


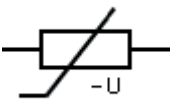


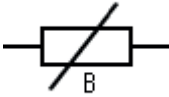

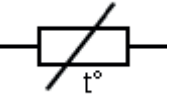
All Electrical & Electronic Symbols in <https://www.electrical-symbols.com>

# Symbols Variable & Adjustable Resistors [ [Go to Website](https://www.electrical-symbols.com) ]

|  |   |   |   |
|--|---|---|---|
|  <p>Variable resistor<br/>Rheosta<br/>Potentiometer</p> |  <p>Variable resistor<br/>Rheostat<br/>Potentiometer</p>       |  <p>Continuously variable resistor</p>           |  <p>Stepwise variable resistor</p>                                 |
|  <p>Stepwise variable resistor</p>                      |  <p>Potentiometer</p>  |  <p>Adjustable resistor<br/>Pre-set rheostat</p> |  <p>Linear potentiometer<br/>Potentiometer with moving contact</p> |
|  <p>Adjustable resistor<br/>Pre-set rheostat</p>        |  <p>Potentiometer with moving contact and default settings</p> |  <p>Pre-set resistor</p>                         |  <p>Resistor with moving contact and off position</p>              |
|  <p>Variable resistor with carbon discs</p>             |   |   |   |

All Electrical & Electronic Symbols in <https://www.electrical-symbols.com>

# Symbols of Special Resistors [ [Go to Website](#) ]

|   |   |  |  |
|---|---|--|--|
|  <p>LDR - Photoresistor<br/>Light dependent resistor<br/>By increasing the light intensity decreases resistance</p>            |  <p>LDR - Photoresistor<br/>The width is the side exposed to light</p>   |  <p>LDR - Photoresistor<br/>NEMA system</p>                                 |  <p>LDR - Photoresistor</p>                               |
|  <p>NTC Resistor, Thermistor<br/>Negative temperature coefficient<br/>The resistance decreases with increasing temperature</p> |  <p>PTC Resistor, Thermistor<br/>Positive temperature coefficient<br/>The resistance increases with increasing temperature</p> |  <p>NTC Resistor - Thermistor<br/>NEMA system</p>                           |  <p>VDR - Varistor<br/>The voltage-dependent resistor</p> |
|  <p>Thermistor</p>   |  <p>VDR - Varistor</p>   |  <p>VDR - Varistor<br/>The resistance decreases with increasing voltage</p> |  <p>Iron-hydrogen resistor<br/>Barretter</p>              |
|  <p>VDR - Varistor<br/>NEMA system</p>   |  <p>Magnetic resistor<br/>Its resistance depends on magnetic fields</p>  |  <p>RTD<br/>Resistance temperature detector</p>                             |  <p>RTD<br/>Resistance temperature detector</p>           |

All Electrical & Electronic Symbols in <https://www.electrical-symbols.com>