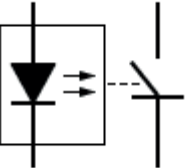
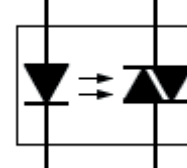
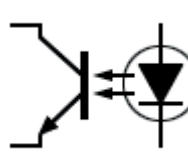
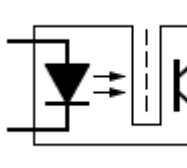
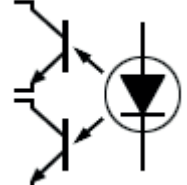
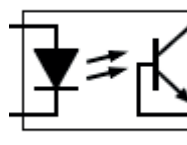


# Optocoupler Symbols [ [Go to Website](#) ]

 <p>Optocoupler Optoisolators Diode - Semiconductor</p>	 <p>Optocoupler Diode - Diac</p>	 <p>Optocoupler Diode - Transistor</p>	 <p>Optocoupler encapsulated Diode - Transistor with hollow beam for cutting</p>
 <p>Two way optocoupler</p>	 <p>Encapsulated optocoupler Diode - Transistor</p>		