



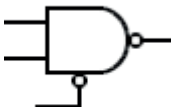

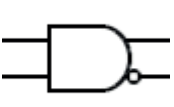
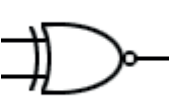

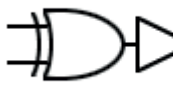
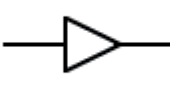
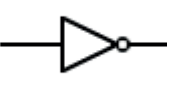



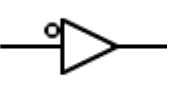
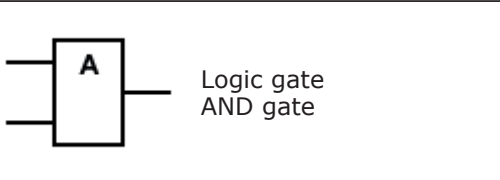
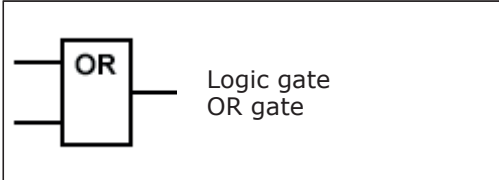
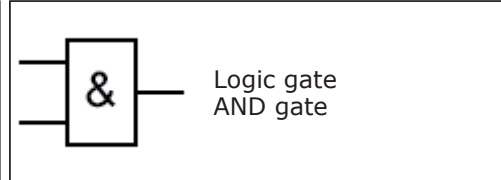
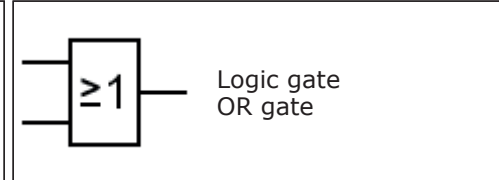
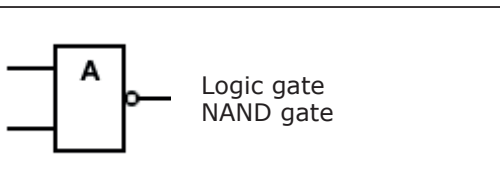
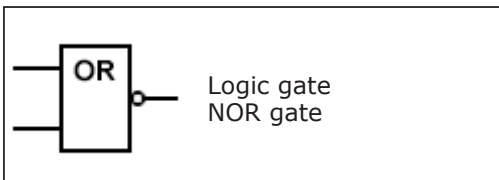
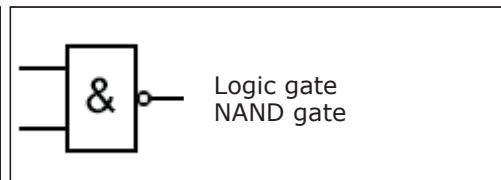
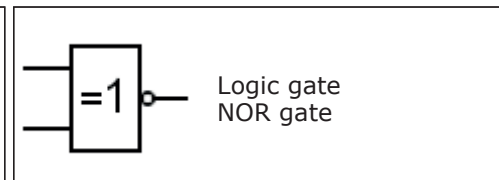

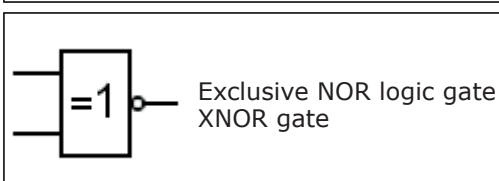
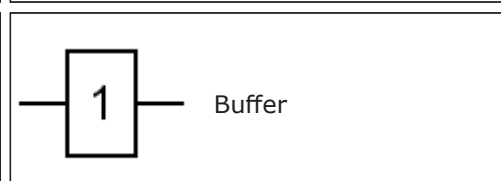
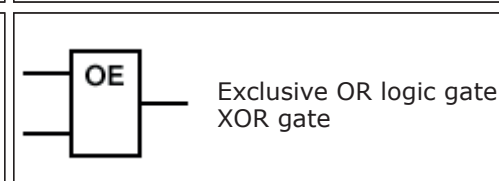
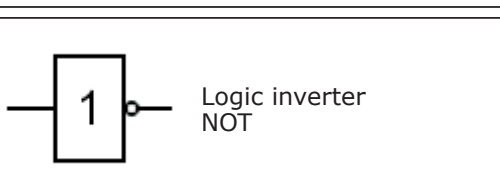
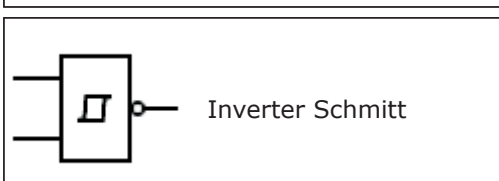


# Logic Gate Symbols (ANSI System) [\[ Go to Website \]](#)

 <p>Logic gate AND gate</p>	 <p>Logic gate OR gate</p>	 <p>Logic gate NAND gate</p>	 <p>Logic gate NOR gate</p>
 <p>NAND logic gate tri-state</p>	 <p>Logic gate exclusive OR XOR gate</p>	 <p>Logic gate that functions as an AND and a NAND</p>	 <p>Logic gate exclusive NOR XNOR gate</p>
 <p>Logic gate that functions as an OR and a NOR</p>	 <p>Equivalent to logic gate XNOR</p>	 <p>Logic buffer</p>	 <p>Logic inverter NOT</p>
 <p>Logic buffer tri-state</p>	 <p>Negated logic buffer</p>	 <p>Differential</p>	 <p>Logic driver</p>

All Electrical & Electronic Symbols in <https://www.electrical-symbols.com>

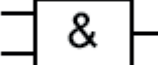
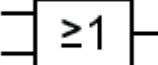
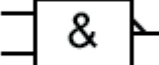
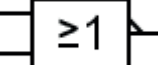
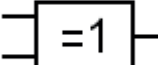
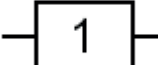
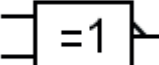
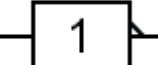
# Logic Gate Symbols (British System - BS 3939) [ [Go to Website](#) ]

 <p>Logic gate AND gate</p>	 <p>Logic gate OR gate</p>	 <p>Logic gate AND gate</p>	 <p>Logic gate OR gate</p>
 <p>Logic gate NAND gate</p>	 <p>Logic gate NOR gate</p>	 <p>Logic gate NAND gate</p>	 <p>Logic gate NOR gate</p>
 <p>Exclusive OR logic gate XOR gate</p>	 <p>Exclusive NOR logic gate XNOR gate</p>	 <p>Buffer</p>	 <p>Exclusive OR logic gate XOR gate</p>
 <p>Logic inverter NOT</p>	 <p>Inverter Schmitt</p>		

All Electrical & Electronic Symbols in <https://www.electrical-symbols.com>

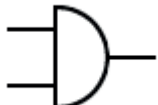

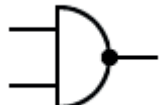
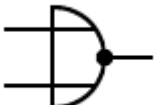
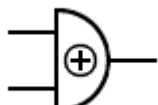
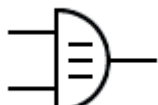
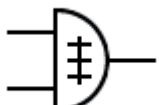
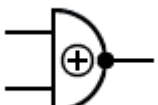


## Logic Gate Symbols (IEC System) [ [Go to Website](#) ]

3/6

 Logic gate AND gate	 Logic gate OR gate	 Logic gate NAND gate	 Logic gate NOR gate
 Exclusive OR logic gate XOR gate	 Buffer	 Exclusive NOR logic gate XNOR gate	 Logic inverter NOT

All Electrical & Electronic Symbols in <https://www.electrical-symbols.com>

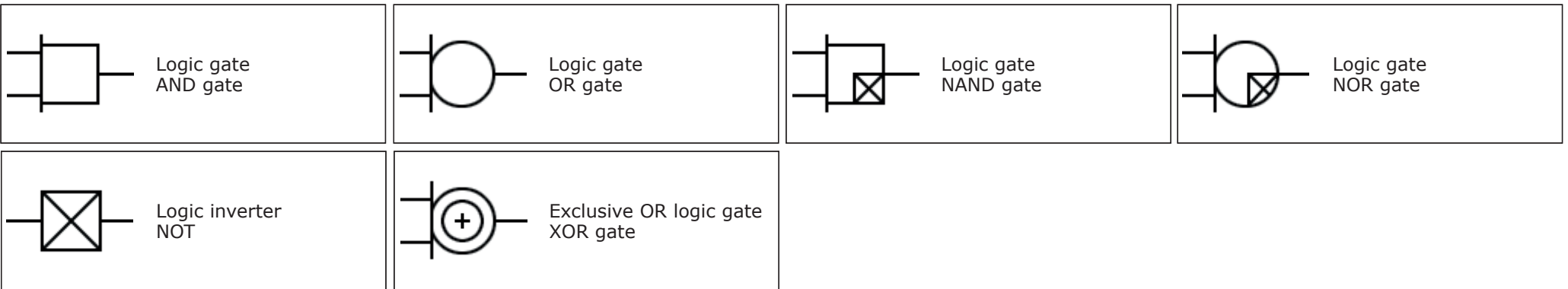
# Logic Gate Symbols (DIN System) [ [Go to Website](#) ]

 <p>Logic gate AND gate</p>	 <p>Logic gate OR gate</p>	 <p>Logic gate NAND gate</p>	 <p>Logic gate NOR gate</p>
 <p>Logic gate XOR</p>	 <p>Logic gate XNOR</p>	 <p>Logic gate XOR</p>	 <p>Logic gate XNOR</p>
 <p>Logic Buffer</p>	 <p>Logic inverter NOT gate</p>		

All Electrical & Electronic Symbols in <https://www.electrical-symbols.com>

## Logic Gate Symbols (NEMA System) [ [Go to Website](#) ]

5/6



All Electrical & Electronic Symbols in <https://www.electrical-symbols.com>

## Symbols of Programming Conventions [ [Go to Website](#) ]

 <p>Intact programmable connection</p>	 <p>Fixed connection</p>	 <p>No connection</p>
---	---	--

All Electrical & Electronic Symbols in <https://www.electrical-symbols.com>