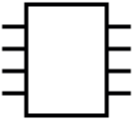
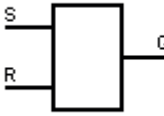
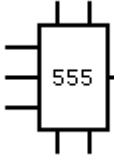
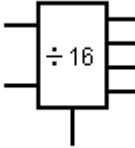
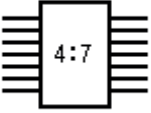
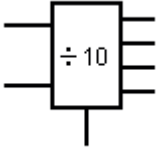
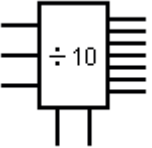
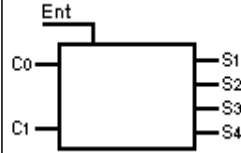
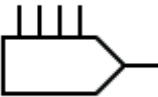

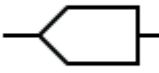
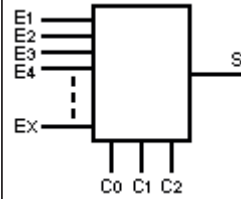

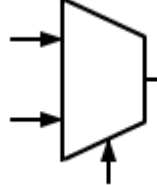

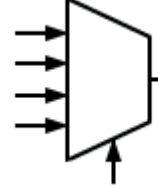
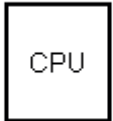
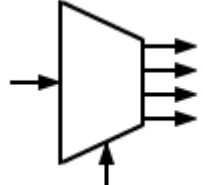


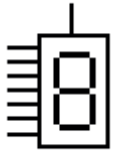
Logic Circuits Symbols (Digital Electronics) [\[Go to Website \]](#)

 <p>Integrated circuit IC - Logic chip</p>	 <p>Basic memory</p>	 <p>555 chronometer Timer IC</p>	 <p>4 bit binary counter</p>
 <p>7-segment decoder</p>	 <p>Decadic decimal binary coded counter, BCD</p>	 <p>Decadico counter with 10 outputs encoded</p>	 <p>Decoder 1 to 4</p>
 <p>DAC / D/A Digital to Analog Converter</p>	 <p>DAC Analog to digital converter</p>	 <p>ADC / A/D Analog to Digital Converter</p>	 <p>Multiplexer</p>
 <p>Logic adder</p>	 <p>Multiplexer 2 in 1 out</p>	 <p>Semi-adder</p>	 <p>Multiplexer, 4 inputs 1 output</p>
 <p>Central Processing Unit CPU</p>	 <p>1 input 4-output demultiplexer</p>		

All Electrical & Electronic Symbols in <https://www.electrical-symbols.com>

Display Symbols [[Go to Website](#)]

2/2



7 segment LED display

Alphanumeric LED
indicator 5x7
e.g. letter A16 segment
alphanumeric display

All Electrical & Electronic Symbols in <https://www.electrical-symbols.com>