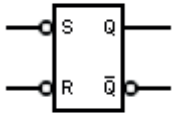
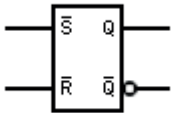
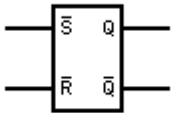
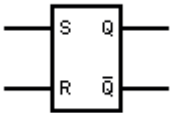
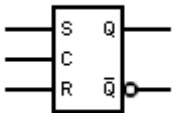
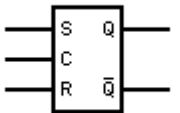
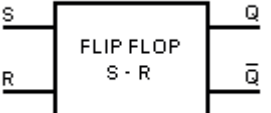
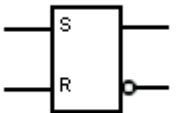
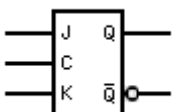
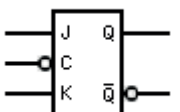
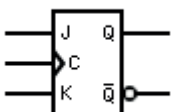
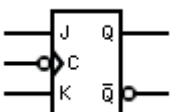

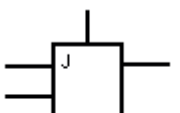
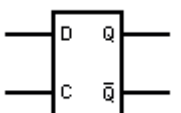
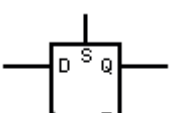
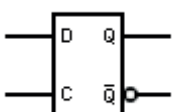
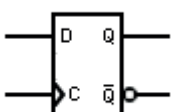
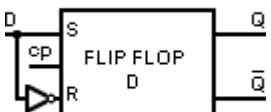
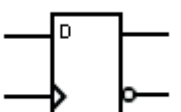


# Flip-Flop Symbols [ [Go to Website](#) ]

 <p>SR Flip-Flop With NAND gates asynchronous</p>	 <p>SR Flip-Flop With NOR gates asynchronous</p>	 <p>SR Flip-Flop NAND latch asynchronous</p>	 <p>SR Flip-Flop With NOR gates asynchronous</p>
 <p>SR Flip-Flop SR synchronous</p>	 <p>SR Flip-Flop SR latch synchronous</p>	 <p>SR Flip-Flop Set Reset</p>	 <p>SR Flip-Flop Set Reset</p>
 <p>JK Flip-Flop master / slave Activated by high level</p>	 <p>JK Flip-Flop master / slave Activated by low level</p>	 <p>JK Flip-Flop Activated by the rising edge</p>	 <p>JK Flip-Flop Activated by the falling edge</p>
 <p>JK Flip-Flop Activated by the falling edge</p>	 <p>JK Flip-Flop Generic symbol</p>	 <p>D Flip-Flop Generic symbol</p>	 <p>D Flip-Flop</p>
 <p>D Flip-Flop Activated by level</p>	 <p>D Flip-Flop Active Edge</p>	 <p>D Flip-Flop Data / Delay</p>	 <p>D Flip-Flop Data / Delay</p>

All Electrical & Electronic Symbols in <https://www.electrical-symbols.com>

# Flip-Flop Symbols [ [Go to Website](#) ]

