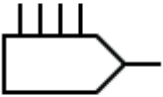


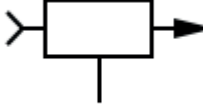



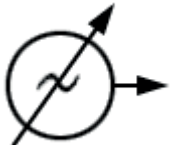
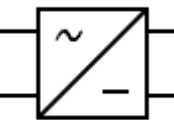
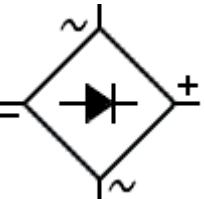
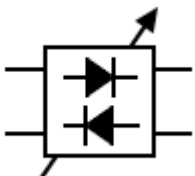
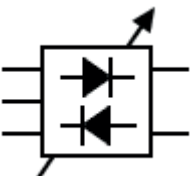
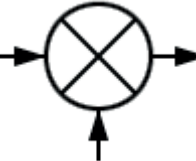
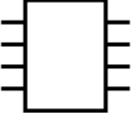


Electronic Circuits Symbols: Blocks, Stages ... [[Go to Website](#)]

 <p>DAC Digital to Analog Converter</p>	 <p>DAC Digital to Analog Converter</p>	 <p>ADC Analog to Digital Converter</p>	 <p>Dimmer Voltage regulator</p>
 <p>Oscillator</p>	 <p>Piezoelectric oscillator</p>	 <p>Voltage-controlled oscillator</p>	 <p>Variable frequency oscillator</p>
 <p>Graetz bridge Double wave bridge rectifier with 4 diodes</p>	 <p>Graetz bridge Double wave bridge rectifier with 4 diodes</p>	 <p>Adjustable single phase rectifier</p>	 <p>Adjustable three phase rectifier</p>
 <p>Electronic mixer</p>	 <p>Chip Integrated circuit (IC)</p>		

All Electrical & Electronic Symbols in <https://www.electrical-symbols.com>