










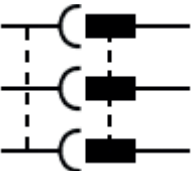






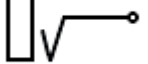
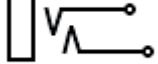
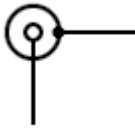
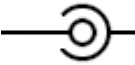

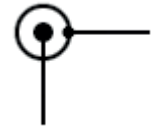
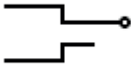




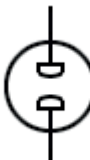
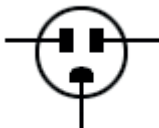





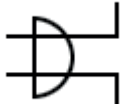
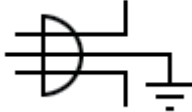




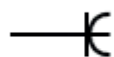
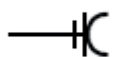
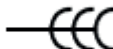

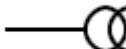
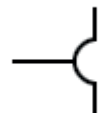


Electrical Connectors Symbols, Sockets, Plugs, Jack ... [[Go to Website](#)]

| | | | |
|---|--|---|--|
|  <p>Male connector / Plug Generic symbol NEMA System</p> |  <p>Female connector Socket / Jack Generic symbol NEMA System</p> |  <p>Male - female connection Plug and Jack</p> |  <p>Male and female double connection Plug and Jack double connection</p> |
|  <p>Male connector / Plug Generic symbol IEC System</p> |  <p>Female connector Socket / Jack Generic symbol IEC System</p> |  <p>Bipolar male connector Two connectors</p> |  <p>Male female connection Plug and Jack</p> |
|  <p>Male coaxial connector Plug, RF connector</p> |  <p>Female coaxial connector Jack, RF connector</p> |  <p>Connection with equal connectors</p> |  <p>Connection with 3 connectors Multipolar connection</p> |
|  <p>Female Female connection</p> |  <p>Connection with 3 connectors Multipolar connection</p> |  <p>Double male female connection</p> |  <p>Male with male connection socket</p> |
|  <p>Bipolar connection jack Switch contacts</p> |  <p>Three-pole jack connection Switch contacts</p> |  <p>Jack socket Two-conductor</p> |  <p>Jack socket bipolar Three-conductor</p> |
|  <p>Jack socket Two-conductor</p> |  <p>Jack socket Two-conductor</p> |  <p>Jack socket Two-conductor</p> |  <p>Jack socket Two-conductor</p> |


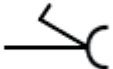
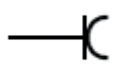
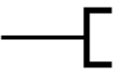



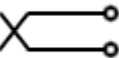




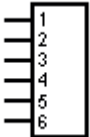
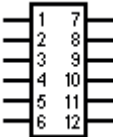
All Electrical & Electronic Symbols in <https://www.electrical-symbols.com>

Electrical Connectors Symbols, Sockets, Plugs, Jack ... [[Go to Website](#)]

| | | | |
|---|--|--|---|
|  Jack socket Two-conductor |  Jack socket bipolar Three-conductor |  Non-polarized male connector |  Non-polarized male connector |
|  Unpolarized socket |  Unpolarized socket |  Polarized male connector |  Polarized socket |
|  Polarized socket |  Polarized socket |  Dot and dash connector |  Generic contact |
|  Male plug to the grid AC power plugs |  Plug connected to the main circuit with earth |  Single phase connector |  Power connector in building |
|  Three-phase connector |  Three-phase connector in building |  Base Three-phase and grounding |  Socket with earth |
|  Connectors base power 3 socket |  Connectors base power 3 socket |  Power connector with electrical transformer |  Power connector with obturator |

All Electrical & Electronic Symbols in <https://www.electrical-symbols.com>

Electrical Connectors Symbols, Sockets, Plugs, Jack ... [[Go to Website](#)]

| | | | |
|---|--|---|---|
|  <p>Power connector with switch of locking</p> |  <p>Connector socket with SPST switch</p> |  <p>Power socket with protective conductor</p> |  <p>Telecommunications connector</p> |
|  <p>Fixed part of a plug</p> |  <p>Moving part of a plug</p> |  <p>Plugged connectors</p> |  <p>Cutting or separation receptacle</p> |
|  <p>Open connection link</p> |  <p>Closed connection link</p> |  <p>Closed connection link</p> |  <p>Sliding contact connection</p> |
|  <p>Pin header e.g. 6x1</p> |  <p>Pin header e.g. 6x2</p> | | |

All Electrical & Electronic Symbols in <https://www.electrical-symbols.com>