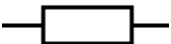







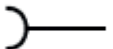
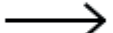
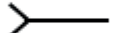

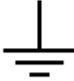
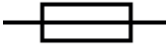



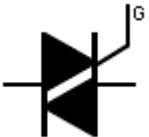
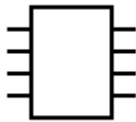
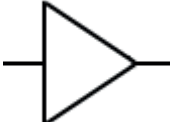

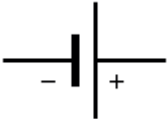
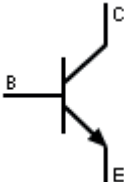
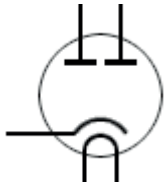


# Basic Electrical and Electronic Symbols (Passive components) [ [Go to Website](#) ]

 <p>Resistor IEC system</p>	 <p>Resistor NEMA system</p>	 <p>Inductor / Coil</p>	 <p>Capacitor</p>
 <p>Switch</p>	 <p>Circuit switch</p>	 <p>Pushbutton</p>	 <p>Plug IEC system</p>
 <p>Female plug IEC system</p>	 <p>Plug NEMA system</p>	 <p>Female plug NEMA system</p>	 <p>Electric line</p>
 <p>Ground</p>	 <p>Fuse</p>		





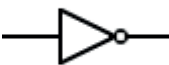
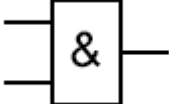
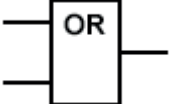
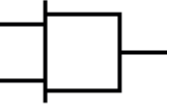

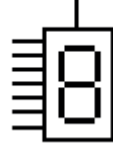
All Electrical & Electronic Symbols in <https://www.electrical-symbols.com>

## Basic Electrical and Electronic Symbols (Active components) [ [Go to Website](#) ]

 <p>Diode</p>	 <p>Diac</p>	 <p>Thyristor</p>	 <p>Triac</p>
 <p>IC / Chip</p>	 <p>Amplifier</p>	 <p>Electric generator</p>	 <p>Battery</p>
 <p>Transistor</p>	 <p>Vacuum tube Electron tube e.g. Diode</p>		

All Electrical & Electronic Symbols in <https://www.electrical-symbols.com>







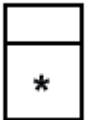

# Basic Electrical and Electronic Symbols (Digital electronic) [ [Go to Website](#) ]

 <p>AND gate ANSI system</p>	 <p>NAND gate ANSI system</p>	 <p>OR gate ANSI system</p>	 <p>NOR gate ANSI system</p>
 <p>Logic inverter</p>	 <p>AND gate British system</p>	 <p>OR gate British system</p>	 <p>AND gate NEMA system</p>
 <p>OR gate NEMA system</p>	 <p>Display 7-segment LED</p>		

All Electrical & Electronic Symbols in <https://www.electrical-symbols.com>


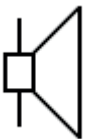
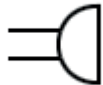

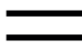




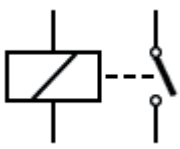
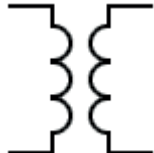
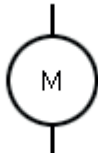
**Basic Electrical and Electronic Symbols (Electrical test & control equipment)** [ [Go to Website](#) ]

4/5

 Ammeter	 Voltmeter	 Ohmmeter	 Frequency meter
 Wattmeter	 Electric clock	 Electrical counter Integrator The asterisk is replaced by the letter or symbol for the quantity count	 Recording instrument The asterisk is replaced by the letter or symbol of the magnitude recorded

All Electrical & Electronic Symbols in <https://www.electrical-symbols.com>

**Basic Electrical and Electronic Symbols (Other electrical and electronic symbols)** [ [Go to Website](#) ] 5/5

 <p>Antenna / Aerial</p>	 <p>Speaker</p>	 <p>Microphone</p>	 <p>Lamp / Light Bulb</p>
 <p>Direct current DC</p>	 <p>Alternating current AC</p>	 <p>Positive polarity</p>	 <p>Negative polarity</p>
 <p>Piezoelectric crystal</p>	 <p>Relay (Coil and Switch)</p>	 <p>Electric transformer</p>	 <p>Electric motor</p>

All Electrical & Electronic Symbols in <https://www.electrical-symbols.com>