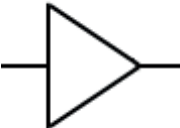

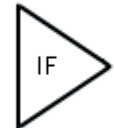
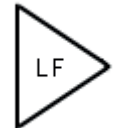
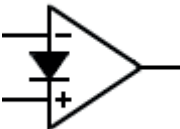
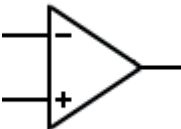
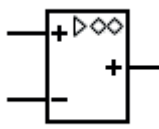

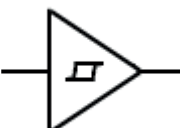


Symbology of Amplifier Circuits [[Go to Website](#)]

 <p>Amplifier Generic symbol</p>	 <p>HF amplifier (High Frequency)</p>	 <p>IF amplifier (Intermediate Frequency)</p>	 <p>LF amplifier (Low Frequency)</p>
 <p>Norton amplifier operational transconductance amplifier - OTA</p>	 <p>Operational amplifier Op-Amp</p>	 <p>Operational amplifier</p>	 <p>Variable gain amplifier</p>
 <p>Schmitt-trigger</p>			